



附近位置识别图 Map To Aeros Factory



到达行程规划可参考以下路线 Suggest Routes To Aeros Factory

1. 从珠海、中山、江门出发
G94 江肇高速 → 人和明城出口 → 出收费站后右转入合和大道 → 连上高明大道后左转 → 明城镇
2. 从广州白云机场出发
G45 机场高速 → G1501 北二环西行 → 西二环 → S5 广明高速 → 明城出口 → 明城镇
3. 从深圳出发
G4 广深高速 → G9411 虎门大桥 → G1501 南二环 → 西二环 → S5 广明高速 → 明城出口 → 明城镇

工厂: 佛山市雅路斯工业设备有限公司
地址: 中国广东省佛山市高明区明城镇明喜路6号, 528518
电话: +86-757- 6687 3668 / 8893 3066
传真: +86-757- 8893 3063
电邮: aeroschina@163.com
wendyhyd@163.com
网址: http://chinaaeros.com

香港办事处: 雅路斯有限公司
地址: 香港新界屯门建发街5号广建贸易中心1605室
电话: +852 2499 1823
传真: +852 2499 1822
电邮: patyaula@netvigator.com
aeroschina@gmail.com

南海桂城办事处: 佛山市雅路斯工业设备有限公司
地址: 广东省佛山市南海区桂城天安数码城5期A座806A室
电话: +86-757- 8513 2198
传真: +86-757-8513 2199
电邮: aeroschina@126.com

Factory : FOSHAN AEROS INDUSTRIAL EQUIPMENT CO., LTD
Address : No. 6, Ming Xi Road, Ming Cheng Town, Gaoming District, Foshan, Guangdong Province, PRC, 528518
Tel : +86-757- 6687 3668 / 8893 3066
Fax : +86-757- 8893 3063
E-mail : aeroschina@163.com
wendyhyd@163.com
Website : http://chinaaeros.com

HK Office : AEROS (INTERNATIONAL) CO., LTD
Address : Rm 5, 16/F., Kwong Kin Trade Centre, 5 Kin Fat Street, Tuen Mun, N.T., Hong Kong
Tel : +852 2499 1823
Fax : +852 2499 1822
E-mail : patyaula@netvigator.com
aeroschina@gmail.com

NH Office : FOSHAN AEROS INDUSTRIAL EQUIPMENT CO., LTD
Address : Rm 6A, 8/F., Building A, 5 Tian Longgang Cyber Park, Guicheng Town, Nanhai District, Guangdong Province, 528200
Tel : +86-757-8513 2198
Fax : +86-757-8513 2199
E-mail : aeroschina@126.com



网站二维码



WEBSITE QR CODE

您在食品加工行业的合作伙伴
Your Partner In Food Processing Industry



公司介绍

雅路斯在中国广东注册成立：佛山市雅路斯工业设备有限公司 (Foshan Aeros Industrial Equipment Co., Ltd) 并在香港设立销售和提供客户服务联络：雅路斯有限公司 (Aeros (International) Co.,Ltd) 是一家专业的工业设备制造和技术服务供货商。

雅路斯与糖果、糕点和其他相关产品制造商建立紧密的合作伙伴关系，雅路斯拥有雄厚的机械开发实力和卓越的加工工艺技术；以领先的产品工艺流程解决方案，为客户用以最低的成本去使用最完善的产品生产系统，以达至最大的成本效益和更可靠的产品实现过程。

雅路斯以「关注客户的期望，关注客户产品的质量，关注客户产品的最终成本」的宗旨提供机器和服务。

雅路斯在期待着客户的成功。

Company Profile

Our company has been established in business in China since 2006. The director board members has had rich experience on representing the leading manufacturer of machinery & finished products for confectionery and bakery industries in China and has provided excellent after sales services/engineering services in the past years. We have therefore accumulated a lot of experience in these fields. Producing high quality products and outstanding services are our aims and we are confident to manage all processing of the production independently with our maturity management strategy.

Our main business nature is manufacturing complete production lines for marshmallow/aeration system for confectionery, chocolate & cakes/product research & development /recipe development /machinery design and engineering services.

We are fully caught up the development of future market and we trust that we could provide a good solution for your market.



甘草糖煮糖和挤出组合
Liquorice Cooking & Extrusion Unit



四色注射站
4colour injection station



连续充气机组合 Continuous Aeration System



煮糖系统 / 冷却系统 / 明胶系统
Cooking System / Cooling System / Gelatine System

型号 Model	产品 Product 参考产量 Capacity	棉花糖 Marshmallow (kg/hr)	奶油 Cream (kg/hr)	充气巧克力 Aerated Chocolate (kg/hr)	充气橡皮糖 Aerated Gummy (kg/hr)	奶糖 Chewy (kg/hr)	鸟结糖 Nougat (kg/hr)	备注 Remark
A20		6-8	6-8	6-8	6-8	6-8	6-8	
A50		30-80	50-150	50-150	50-150	30-100	30-100	
A100L		80-150	150-300	150-300	150-300	40-200	40-200	
A200L		-----	150-500	150-500	100-500	100-400	100-400	
A500		150-350	150-500	150-500	150-500	150-500	150-500	
A750		200-500	200-750	200-750	200-750	200-750	200-750	
A1000		300-700	300-1000	300-1000	300-1000	300-1000	300-1000	
A1500		500-1000	500-1500	500-1500	500-1500	500-1500	500-1500	

注：产量跟生产流程与配方有关，具体需要经过测试

The actual capacity depends on recipe & processing, it need to carry out trial during production test



称重系统
Weighing System

螺杆泵
Screw Pump



转子
Rotor



转子泵
Lobe Pump



清洗泵
CIP Pump

混料头
Mixing Head



A100L



A200S



A200L



A500



A750



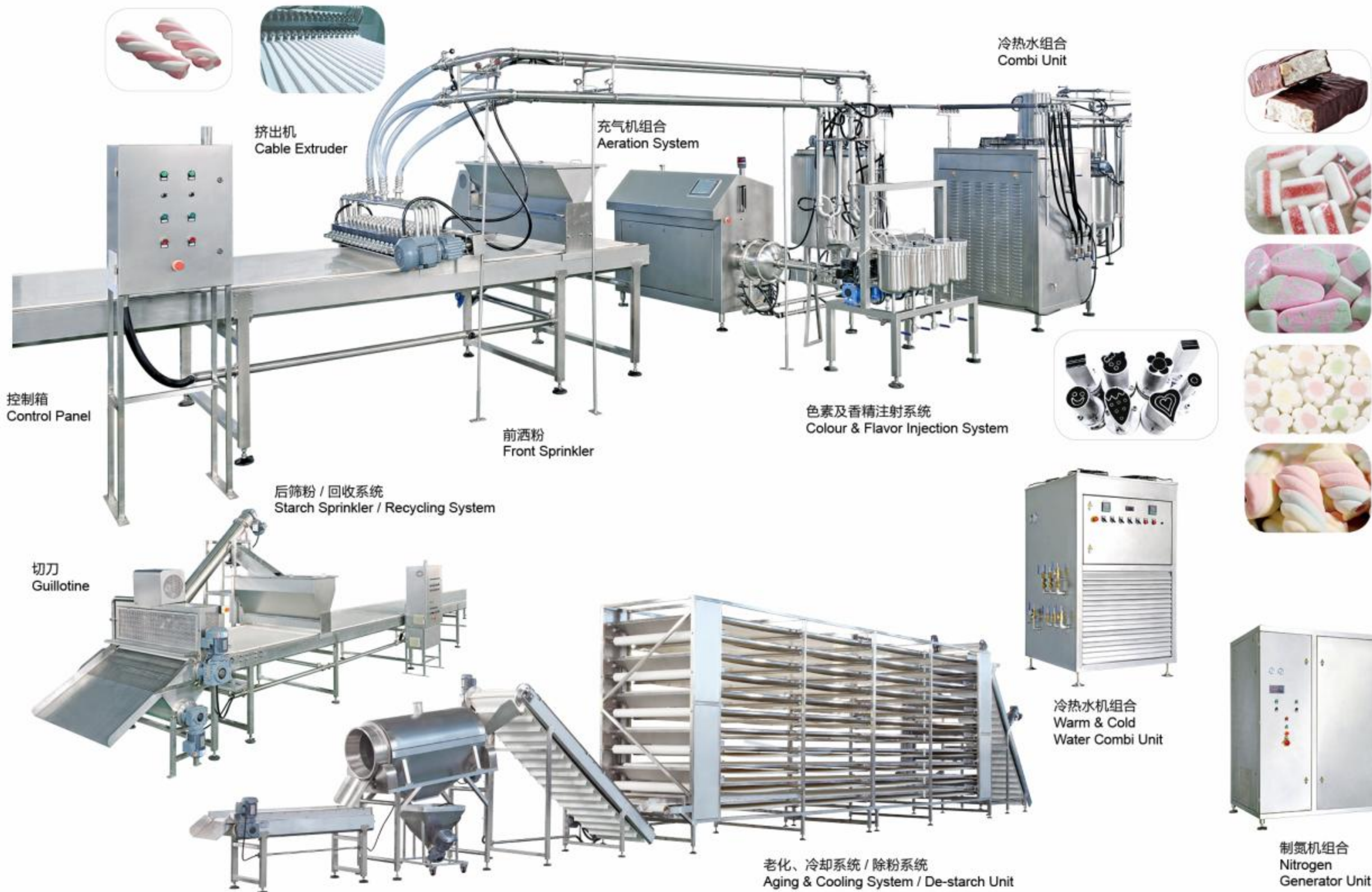
A1000



A1000S



A1500



挤出机
Cable Extruder

充气机组
Aeration System

冷热水组合
Combi Unit



色素及香精注射系统
Colour & Flavor Injection System

控制箱
Control Panel

前洒粉
Front Sprinkler

后筛粉 / 回收系统
Starch Sprinkler / Recycling System

切刀
Guillotine



冷热水机组
Warm & Cold
Water Combi Unit



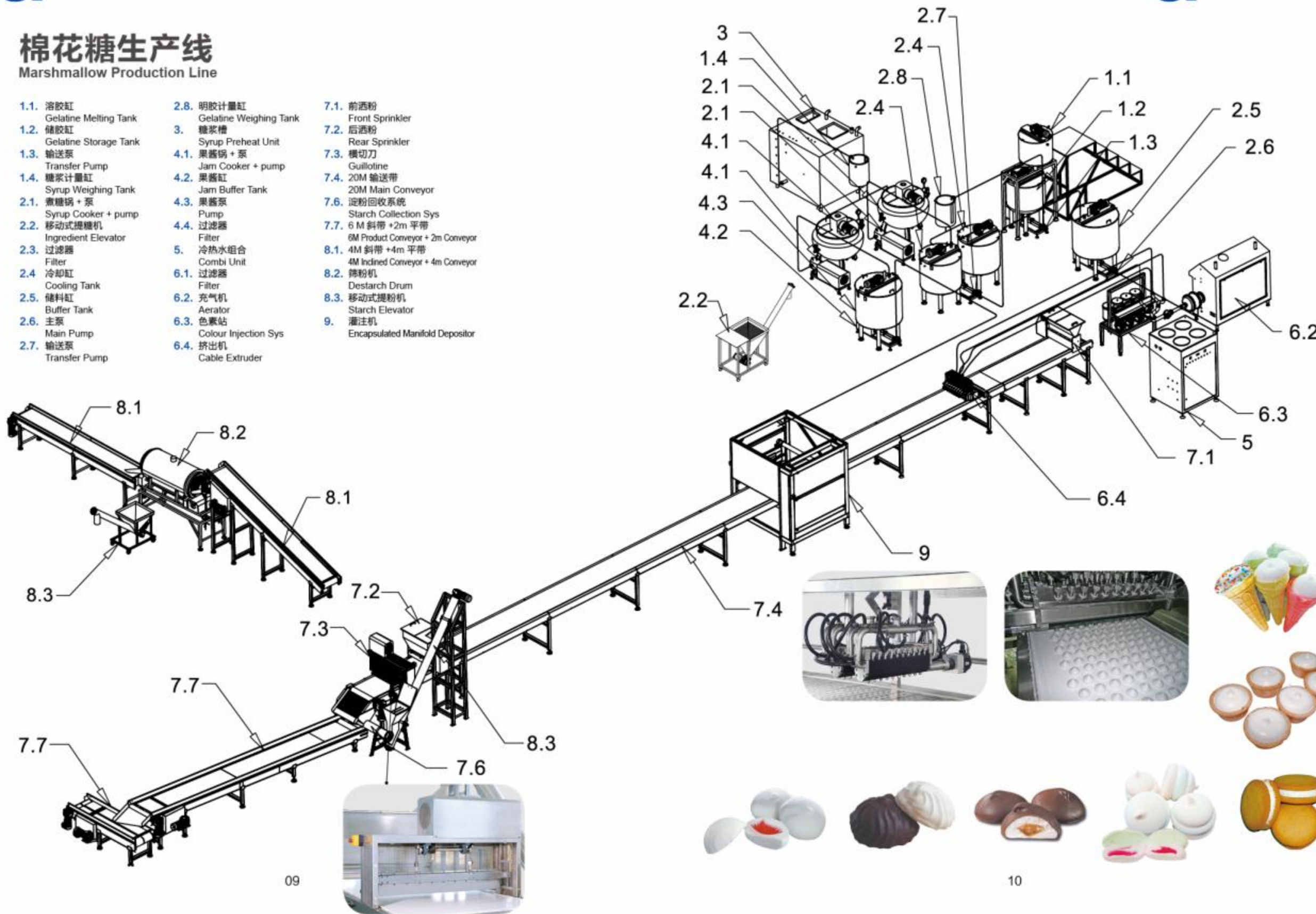
制氮机组
Nitrogen
Generator Unit

老化、冷却系统 / 除粉系统
Aging & Cooling System / De-starch Unit

棉花糖生产线

Marshmallow Production Line

- | | | |
|------------------------------------|--------------------------------------|--|
| 1.1. 溶胶缸
Gelatine Melting Tank | 2.8. 明胶计量缸
Gelatine Weighing Tank | 7.1. 前洒粉
Front Sprinkler |
| 1.2. 储胶缸
Gelatine Storage Tank | 3. 糖浆槽
Syrup Preheat Unit | 7.2. 后洒粉
Rear Sprinkler |
| 1.3. 输送泵
Transfer Pump | 4.1. 果酱锅+泵
Jam Cooker + pump | 7.3. 横切刀
Guillotine |
| 1.4. 糖浆计量缸
Syrup Weighing Tank | 4.2. 果酱缸
Jam Buffer Tank | 7.4. 20M 输送带
20M Main Conveyor |
| 2.1. 煮糖锅+泵
Syrup Cooker + pump | 4.3. 果酱泵
Pump | 7.6. 淀粉回收系统
Starch Collection Sys |
| 2.2. 移动式提糖机
Ingredient Elevator | 4.4. 过滤器
Filter | 7.7. 6 M 斜带+2m 平带
6M Product Conveyor + 2m Conveyor |
| 2.3. 过滤器
Filter | 5. 冷热水组合
Combi Unit | 8.1. 4M 斜带+4m 平带
4M Inclined Conveyor + 4m Conveyor |
| 2.4. 冷却缸
Cooling Tank | 6.1. 过滤器
Filter | 8.2. 筛粉机
Destarch Drum |
| 2.5. 储料缸
Buffer Tank | 6.2. 充气机
Aerator | 8.3. 移动式提粉机
Starch Elevator |
| 2.6. 主泵
Main Pump | 6.3. 色浆站
Colour Injection Sys | 9. 灌注机
Encapsulated Manifold Depositor |
| 2.7. 输送泵
Transfer Pump | 6.4. 挤出机
Cable Extruder | |



巧克力、奶油生产线

Chocolate & Cream Production Line

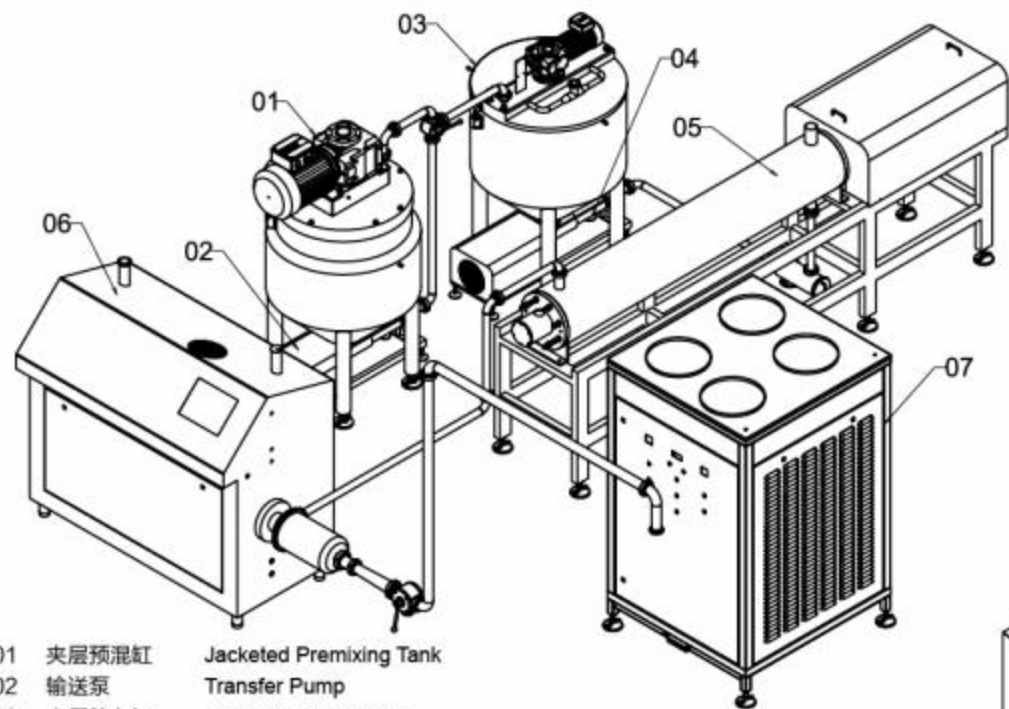


预混和储存系统
Premixing & Buffering System



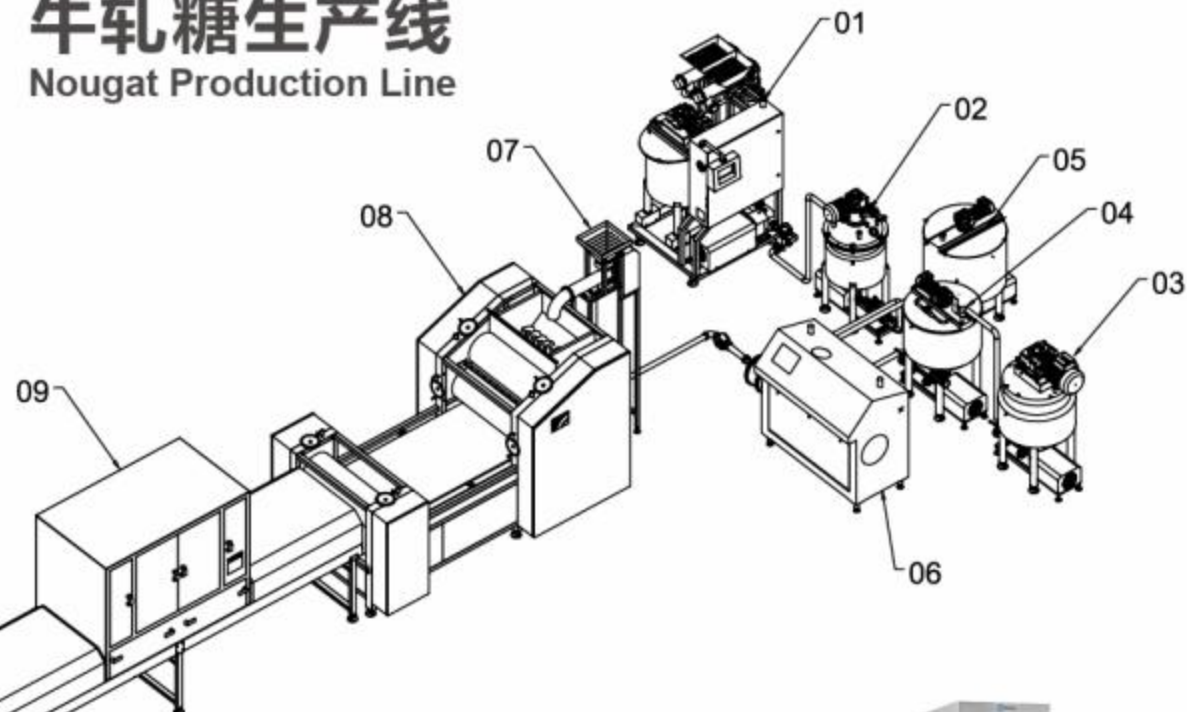
牛轧糖生产线

Nougat Production Line



- 01 夹层预混缸 Jacketed Premixing Tank
- 02 输送泵 Transfer Pump
- 03 夹层储存缸 Jacketed Buffer Tank
- 04 原料泵 Main Pump
- 05 温度平衡器 SSHE
- 06 连续充气机 Continuous Aerator
- 07 冷热水机组合 Cold & Warm Water Unit

10



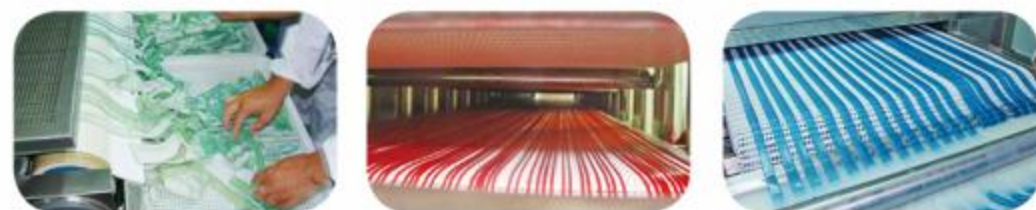
- 01 自动称重溶糖系统 Auto Weighing and premixing System
- 02 真空煮糖罐 Vacuum Cooker
- 03 蛋白糖浆预混缸 Eggwhite & Syrup Premixing tank
- 04 储存缸 Buffer Tank
- 05 油脂储存缸 Fat Buffer Tank
- 06 连续充气机 Continuous Aerator
- 07 干料混料器 Dry Ingredient Mixing Unit
- 08 成型机 Forming Machine
- 09 冷却隧道输送带 Cooling tunnel
- 10 切刀 Guillotine



干料混合器
Dry Ingredient Mixing Unit

甘草糖生产线

Liquorice Production Line



甘草糖煮糖和挤出组合
Liquorice Cooking & Extrusion Unit



切刀
Guillotine

洒糖系统
Sugar Sanding

油盆
Dip Bath

调温和冷却系统
Conditioning and Cooling Conveyor

四色注射站
4colour injection station

